

3/4" ADVANTECH ON 14" I-JOISTS

2x6 PLATE

30 YEAR ARCHITECTURAL SHINGLES ON 30#
ROOFING FELT ON 5/8" FIR CDX PLYWOOD

COR-A-VENT S-400 STRIP VENT

2x10 BLOCKING W/ 45° BEVEL

ICE & WATER SHIELD @ EAVES,
RAKES, & RIDGE

5/8" FIR T-111 PLYWOOD NOTCHED
INTO 2x10 RAFTERS

5/4"x4" FASCIA

FIBERCEMENT PANEL W/ 1"x3"
BATTENS @ 8" O.C.

5/4"x10" BAND BOARD
ON 1/4" FURRING

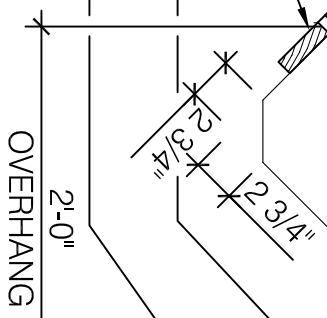
R-19 BATT INSULATION

6" STUD

HOUSEWRAP

7/16" OSB SHEATHING

FIBERCEMENT SIDING



2'-0" OVERHANG