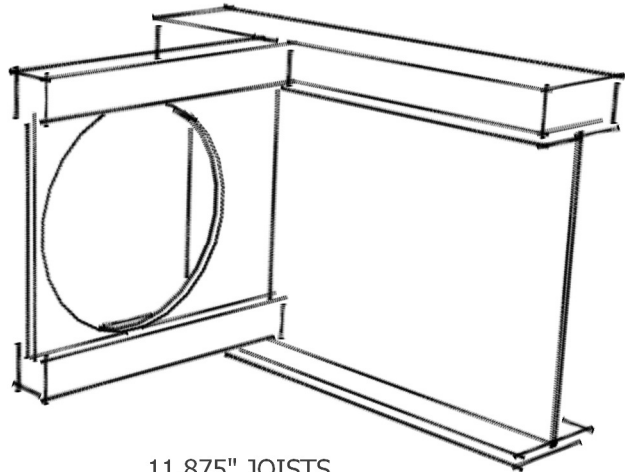


9.5" JOISTS  
W10x19 BEAM  
6.5" Ø MAX HOLE



11.875" JOISTS  
W12x19 BEAM  
8.875" Ø MAX HOLE