

Product Information

Applicable product:	
Pressure-balancing valve without screwdriver stops – universal inlets	K-304-K
Pressure-balancing valve with screwdriver stops – universal inlets	K-304-KS
Pressure-balancing valve without screwdriver stops – PEX inlets (crimp)	K-304-PX
Pressure-balancing valve with screwdriver stops – PEX inlets (crimp)	K-304-PS
Pressure-balancing valve without screwdriver stops – PEX inlets (cold expansion)	K-304-UX
Pressure-balancing valve with screwdriver stops – PEX inlets (cold expansion)	K-304-US
Pressure-balancing valve without screwdriver stops – 1/2" CPVC inlets	K-304-CX
Pressure-balancing valve with screwdriver stops – 1/2" CPVC inlets	K-304-CS
The K-304-CX and K-304-CS are K-304-K and K-304-KS with CPVC adapters installed on the inlets.	

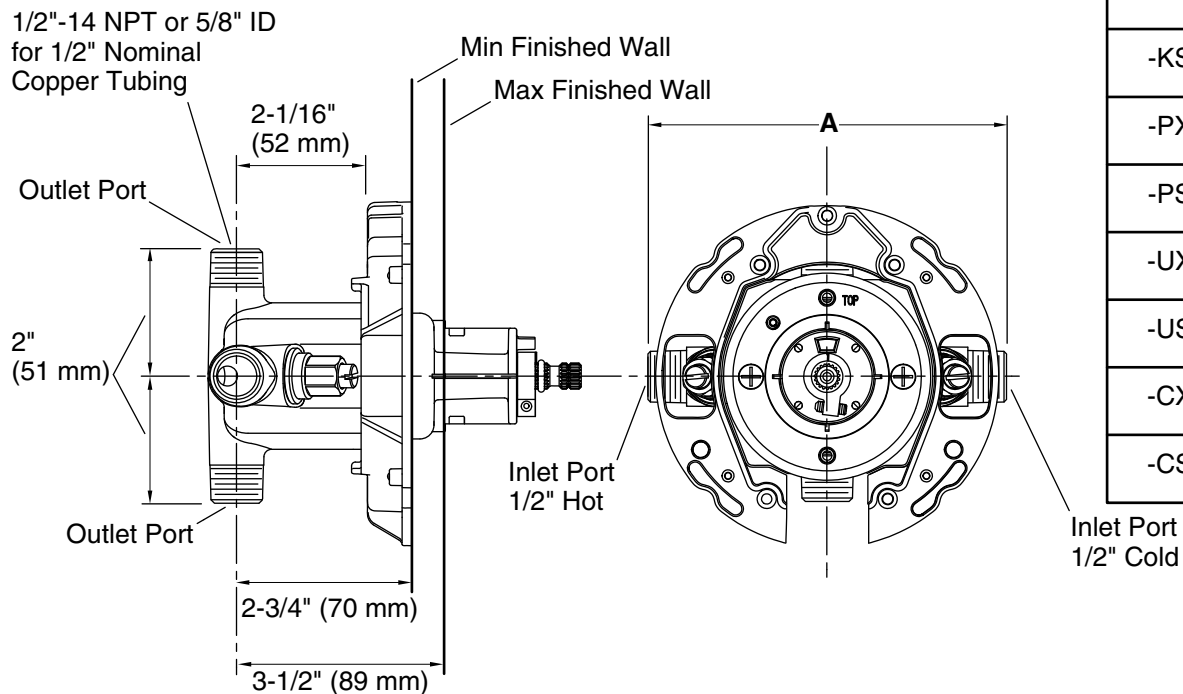
Installation Notes

Install this product according to the installation guide.

Avoid cross-flow conditions. Do not install a shut-off device on either valve outlet.

Cap the shower outlet if a deck-mount spout, diverter, or handshower is connected to a spout outlet.

Install straight pipe or tube drop of 7" (178 mm) to 18" (457 mm) with single elbow between valve and wall-mount spout. Refer to the installation instructions for proper configuration of the connection between the valve and bath spout.



Model	A
-K	4" (102 mm)
-KS	5-3/4" (146 mm)
-PX	3-3/16" (81 mm)
-PS	6-1/8" (156 mm)
-UX	4" (102 mm)
-US	6-1/8" (156 mm)
-CX	6-5/8" (168 mm)
-CS	8-1/2" (216 mm)